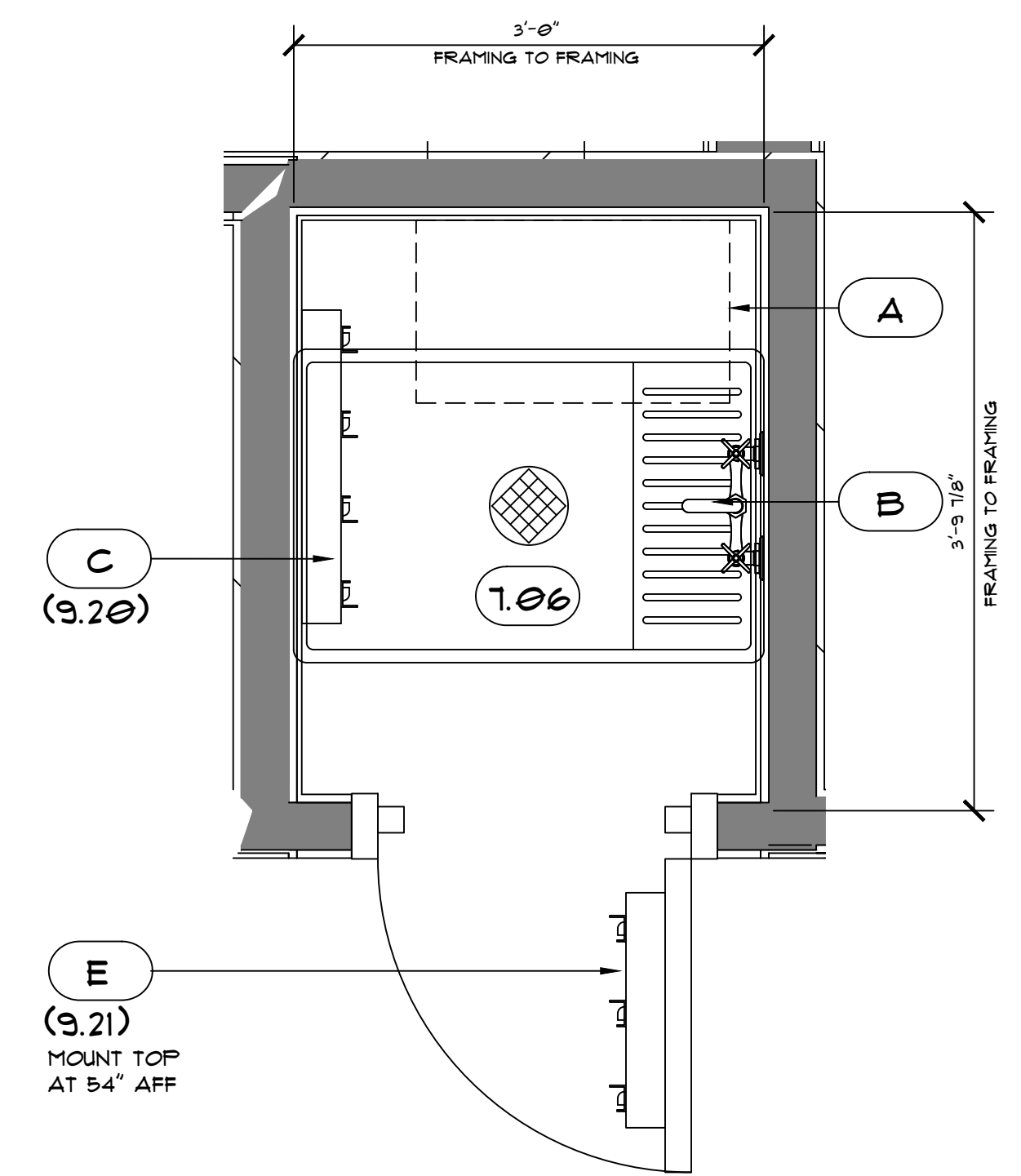


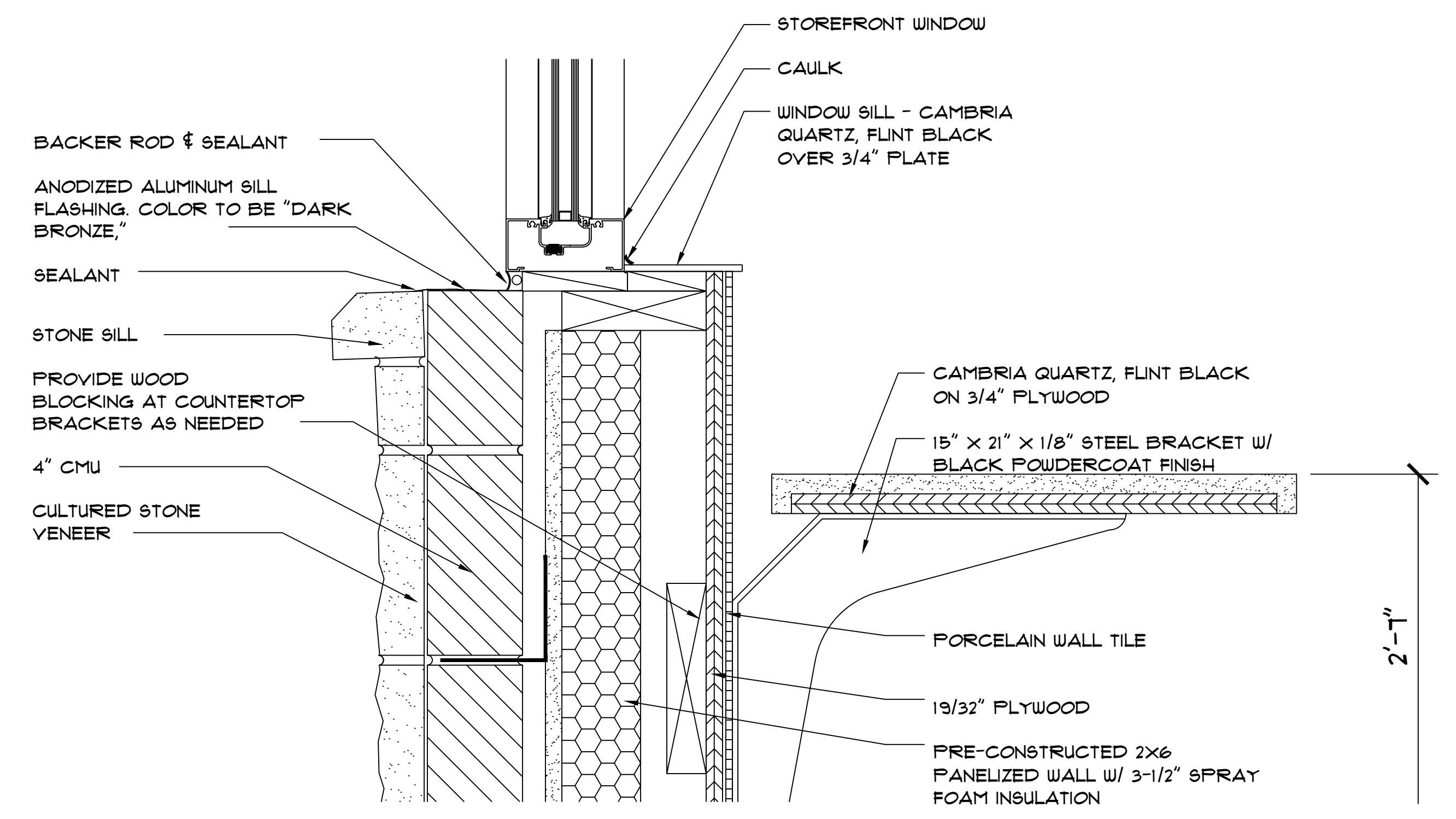
**JANITOR CLOSET ELEVATION**  
SCALE: 1" = 1'-0"

**JANITOR CLOSET SECTION**  
SCALE: 1" = 1'-0"

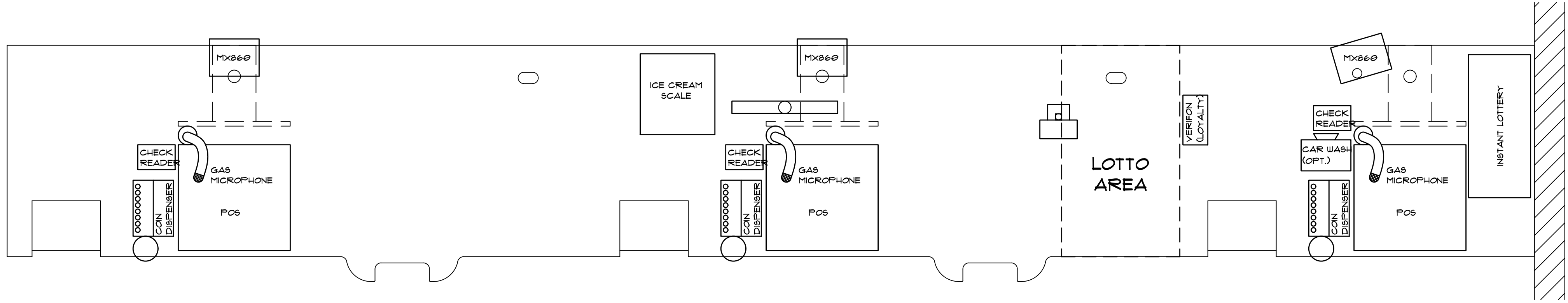


**JANITOR CLOSET PLAN**  
SCALE: 1" = 1'-0"

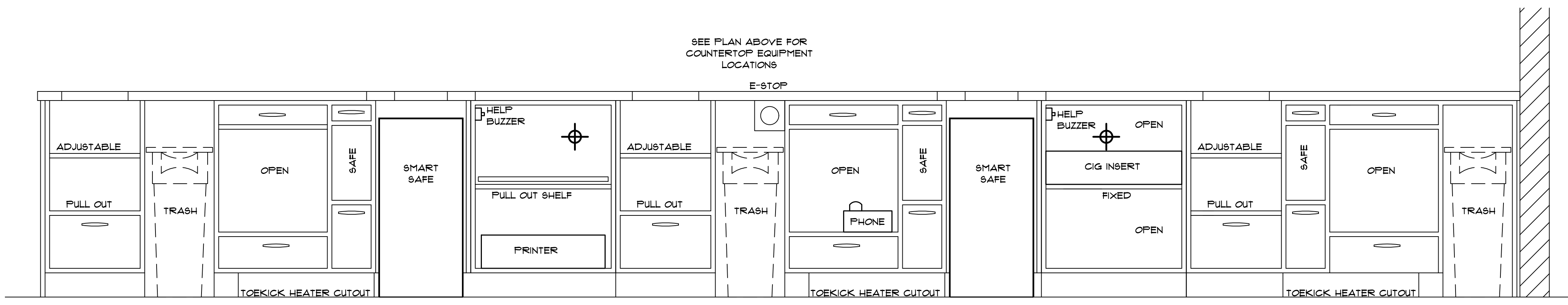
- SPECIFICATIONS:**
- A - SHELVING (ALL PRODUCTS BY EAGLE)
  - (2) EAGLEBRITE CANTILEVER STANDARD UPRIGHTS, MML-5 (60" LONG)
  - (3) ZINC SINGLE KNOB BRACKETS, MMB-K-14-L
  - (3) ZINC SINGLE KNOB BRACKETS, MMB-K-14-R
  - (3) EAGLEBRITE WIRE SHELVES, 1424Z
  - B - MOP SINK FAUCET: T-10-VB BY STERN WILLIAMS
  - C (9.20) - 24" MOP & BROOM HOLDER: A0333-4GW BY ALPHA OMEGA
  - E (9.21) - 18" MOP & BROOM HOLDER: A0333-3GW BY ALPHA OMEGA
  - 1.06 - MOP SINK: Z1996-36-B5-WG BY ZURN
  - \*\*\* MOP SINK SUPPLIED BY PLUMBING CONTRACTOR \*\*\*
  - \*\*\* ALL OTHER EQUIPMENT SUPPLIED BY SHEETZ \*\*\*



**COUNTERTOP DETAIL AT WINDOW**  
SCALE: 3" = 1'-0"



**CHECKSTAND COUNTER EQUIPMENT PLAN**  
SCALE: 1" = 1'-0"



**CHECKSTAND COUNTER ELEVATION - EMPLOYEE SIDE**  
SCALE: 1" = 1'-0"

NO.	DESCRIPTION	DATE	BY



*Convenience Architecture and Design P.C.*  
351 Sheetz Way, Claysburg, PA 16825  
(814) 239-6013  
9-3-15

**DETAILS**

**SHEETZ STORE "BUTLER RT. 8"**  
1518 NORTH MAIN STREET EXTENSION  
CENTRE TOWNSHIP  
BUTLER CO., PENNSYLVANIA

SCALE:	AS NOTED
DATE:	9-3-15
DRAWN BY:	KT
FILENAME:	A-12